



SIDE SUCTION



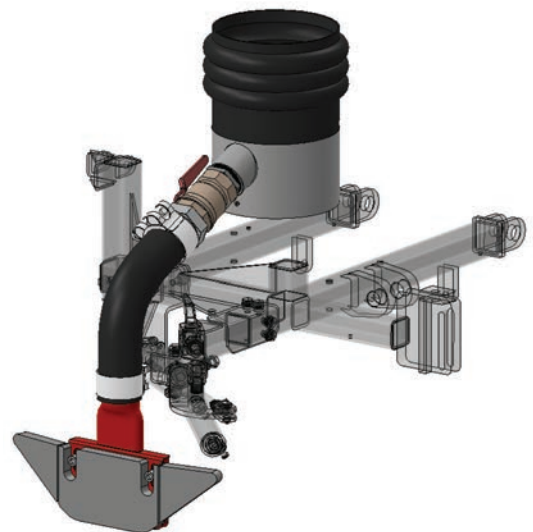
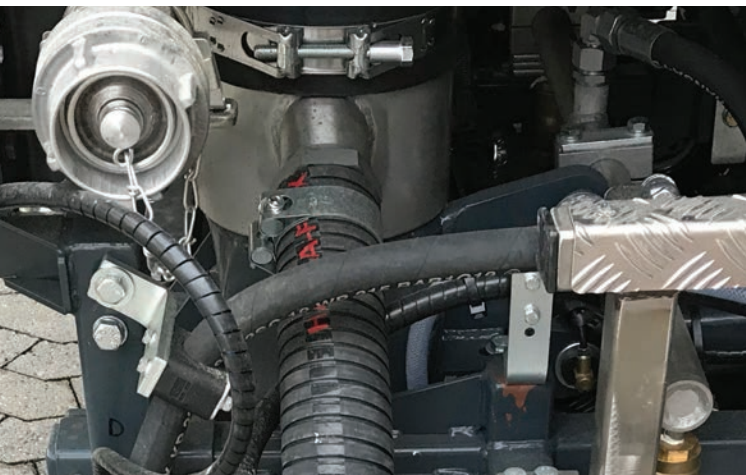
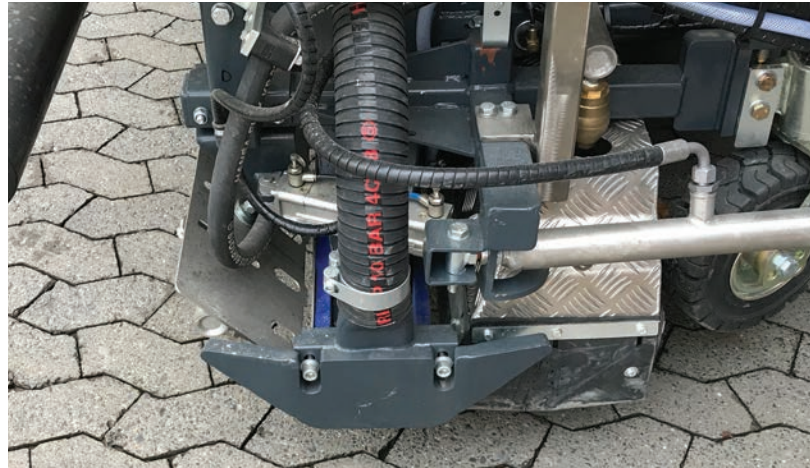
SCAN ME

PERFECT SUCTION

The new patented side suction system has been designed to collect excess water along the left and right sides of the rear grit suction unit.

As a result, the machine achieves superb cleaning results, especially on uneven or sloping road surfaces, while helping to ensure fast drying.

Registration at the German Patent and Trademark Office
DE 10 2019 002 217 A1 2020.10.01



Technical changes reserved. All information without guarantee. Product photos may contain additional equipment.